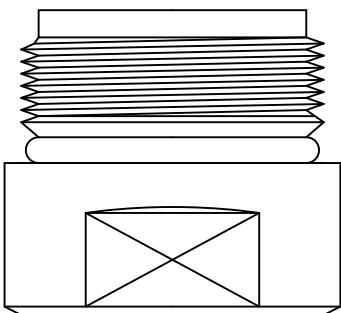
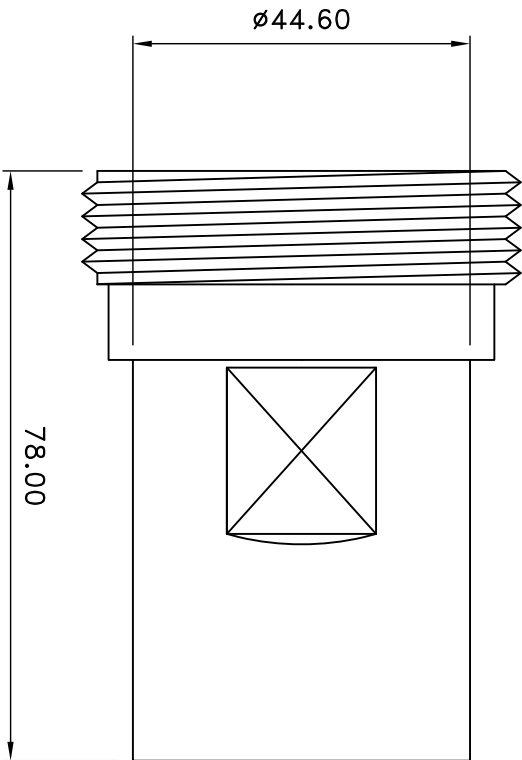



REV	DATE	DESCRIPTION	DRAWN
1			



NOTE	DIMENSION
1. STRIP ALL BURRS. 2. ALL DIMENSIONS ARE AFTER PLATING. 3. DIAMETERS ON COMMON CENTERS. 4. CHAMFER 1ST & LAST HEADS 45° WITHIN 0.1 T.I.R. 5. BREAK ALL CORNERS & EDGES CO.15 MAX.	UNLESS OTHERWISE NOTED TOLERANCES X = $\pm 0.3$ 0.X = $\pm 0.2$ 0.XX = $\pm 0.1$

 華耀科技有限公司 Hua Yao Technologies co.,Ltd.	
TITLE N FEMALE CLAMP	
DRAWING NO.	
APPROVED	DRAWN DATE 04/23/12
CHECKED	SCALE 2:1
DRAWN ALICE	UNIT mm
	GL